



Technical information

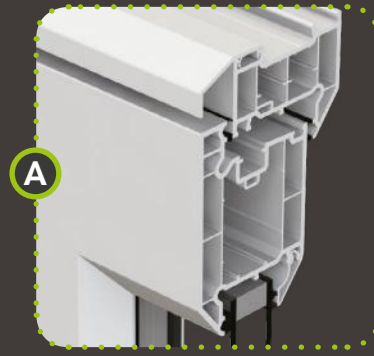
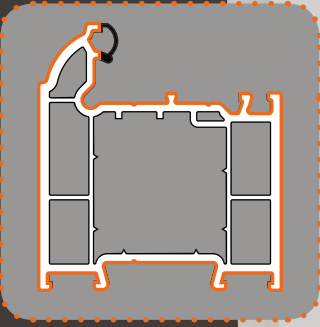
For Liniar French doors



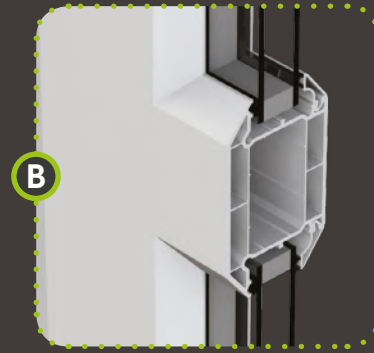
French Door

Vertical Cross Section - Inward opening*, internally beaded

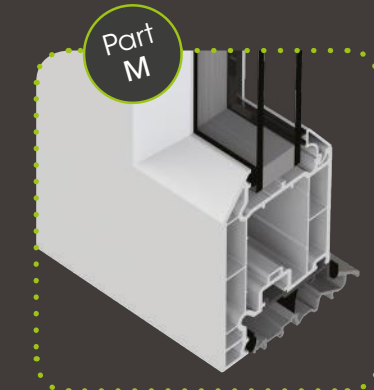
Optional sculptured profile



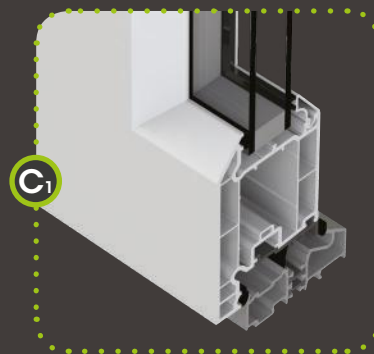
Optional small frame



Optional midrail

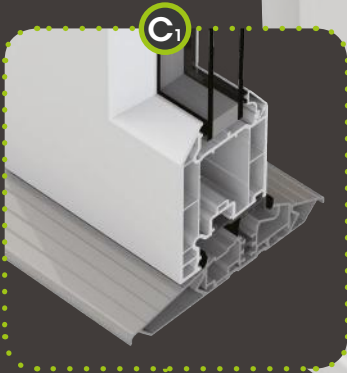


Aluminium Threshold



Aluminium Threshold

Threshold Tray



Part M

LAN275 threshold tray makes LAN272/LAN272T "Part M compliant" when fitted together

* outward opening options are also available and feature the same sightlines

French Door

- Sculptured and Chamfered suites
- 28mm double and 36mm triple glazing
- 4 or 6 chamfered EnergyPlus profiles
- U-values from 1.3 (DGU) and 1.0 (TGU)
- Patented co-ex gasket

Accreditations



PAS24



BS EN 12608



ISO 9001



BS EN 6375

Colour Options



White or White Foil



Cream or Cream Foil



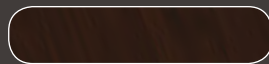
Chartwell Green



Irish Oak



Golden Oak



Rosewood



7016 Grey



Black

Additional colours are available to order as specials.
The colours shown in this brochure give an indication only.



Product	Dim. A
Small frame & sash L#W011 & L#W036*	136mm
Large frame & sash L#W016 & L#W036*	156mm

Product	Dim. B
Int. transom L#W026	87mm
Midrail L#W029	117mm

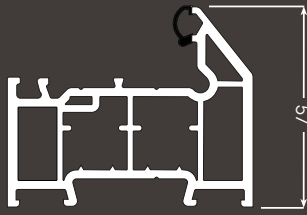
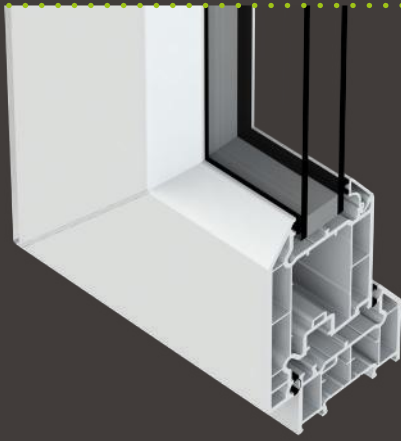
Product	Dim. B
Large frame & sash L#W016 & L#W036*	156mm
Small frame & sash L#W016 & L#W036*	136mm
Ali. threshold & sash LAN272/272T & LSW036*	127mm
Part M ali. thresh. & sash LAN271 & LSW036*	112mm

Product	Dim. C₂
85, 150, 165, 180 cills LSL085, LSL150, LCL165, LSL180	30mm

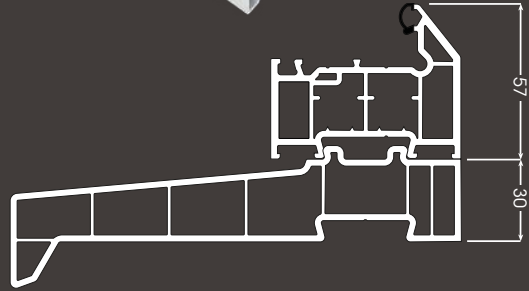
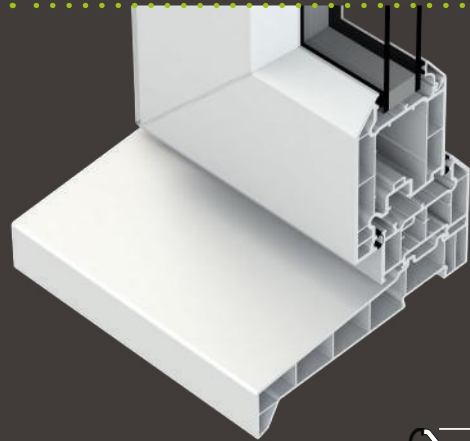
* SLCW037 for chamfered suite

Replace notation with (C) for Chamfered Suite or (S) for Sculptured

French Door Threshold Options

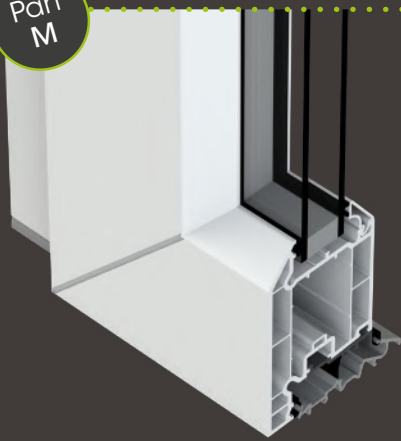


Frame Only
Threshold Height: 57mm

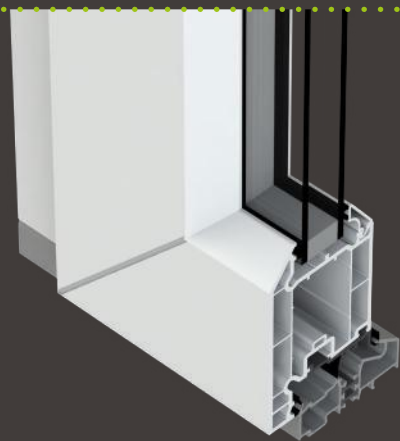


Frame and Cill
Threshold Height: 87mm (inc cill)

Part
M

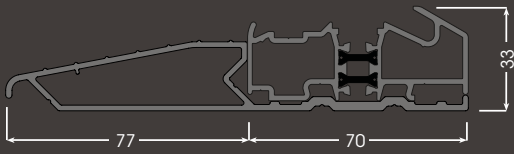
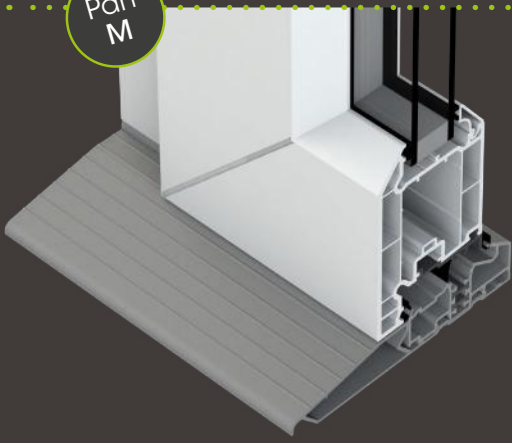


Part M Low Threshold
Threshold Height: 15mm



Low Threshold
Threshold Height: 30mm

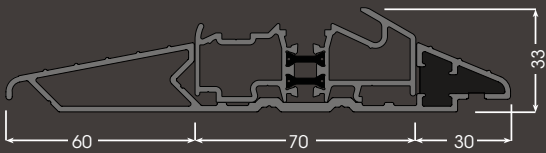
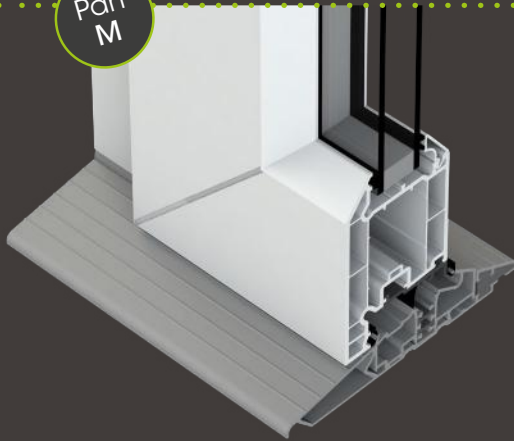
Part
M



Low Threshold and Half Tray

Threshold Height: 33mm

Part
M



Low Threshold and Full Tray

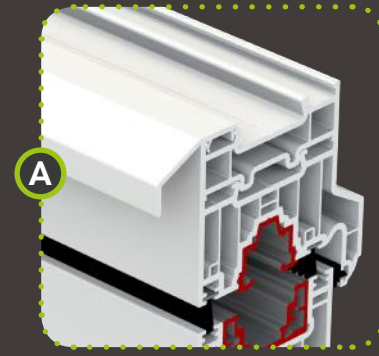
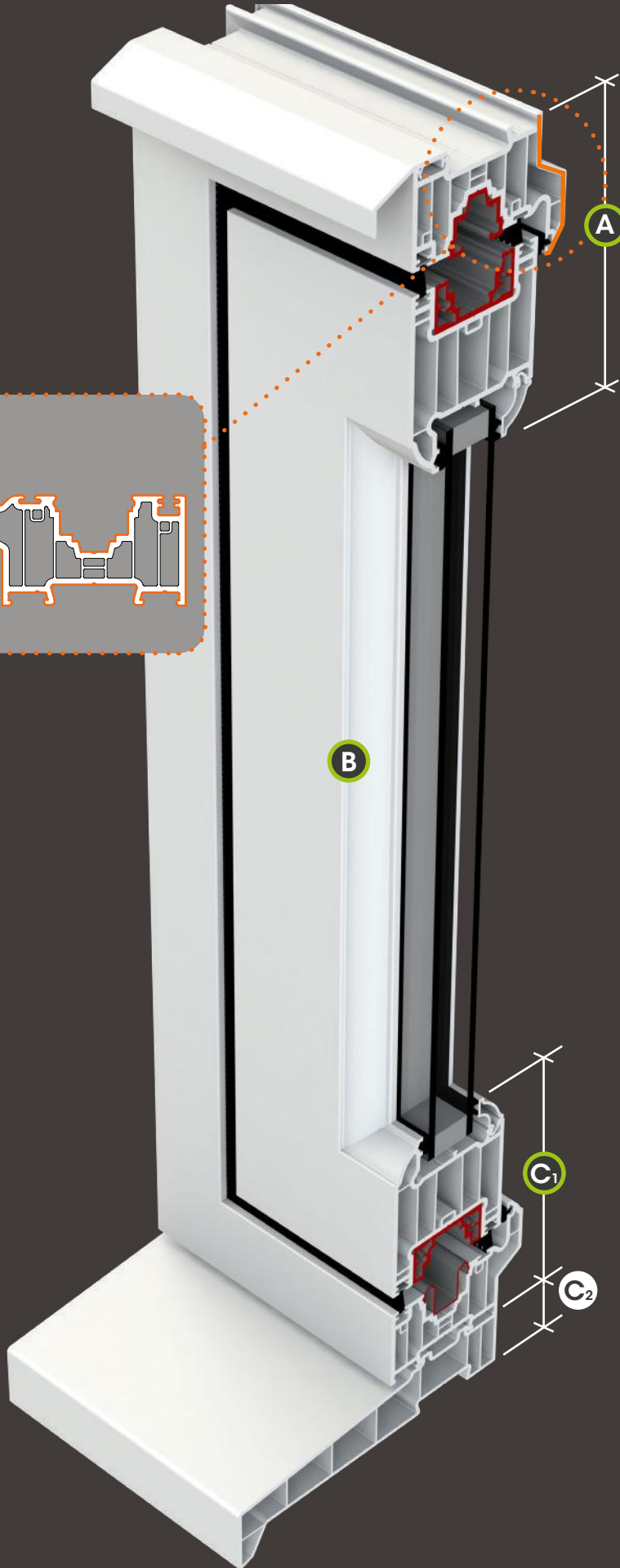
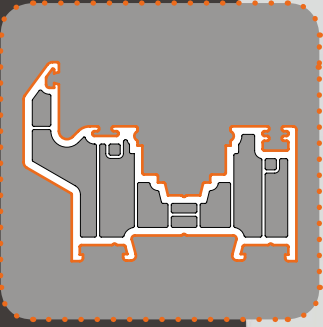
Threshold Height: 33mm



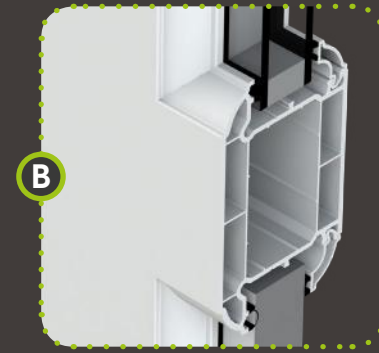
ModLok™ French Door

Vertical Cross Section - Inward opening*, internally beaded

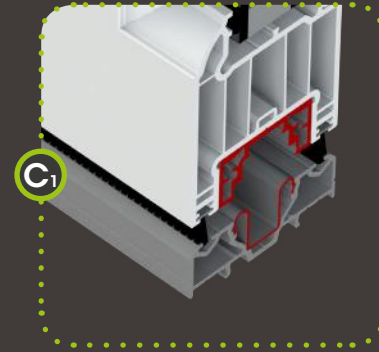
Optional chamfered profile



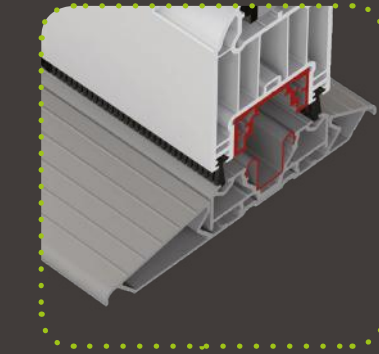
Optional add ons



Optional midrail



Aluminium Threshold



Threshold Tray

Part M

LAN275 threshold tray makes LAN272/LAN272T "Part M compliant" when fitted together

* outward opening options are also available and feature the same sightlines

ModLoK™ Residential/French Door

- Sculptured and Chamfered suites
- 28mm double and 36mm/40mm triple glazing
- Multi chambered EnergyPlus profiles
- U-values from 1.3 (DGU) and 1.0 (TGU)
- Patented aluminium exoskeleton

Accreditations



PAS24



BS EN 12608



ISO 9001



BS EN 6375

Colour Options



White or White Foil



Cream or Cream Foil



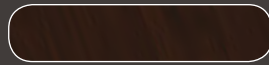
Chartwell Green



Irish Oak



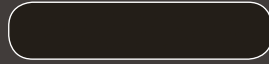
Golden Oak



Rosewood



7016 Grey



Black

Additional colours are available to order as specials.
The colours shown in this brochure give an indication only.

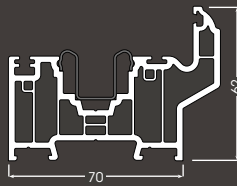


Product	Dim. A
Outer frame & sash MBF091 & MBF092	134mm
Outer frame, sash & 10mm add on MBF091, MBF092 & LAN116	144mm
Outer frame, sash & 20mm add on MBF091, MBF092 & LAN106	154mm
Outer frame, sash & 50mm add on MBF091, MBF092 & LAN126	184mm

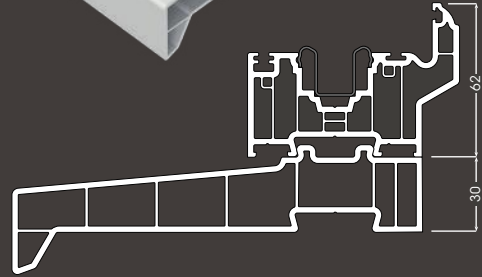
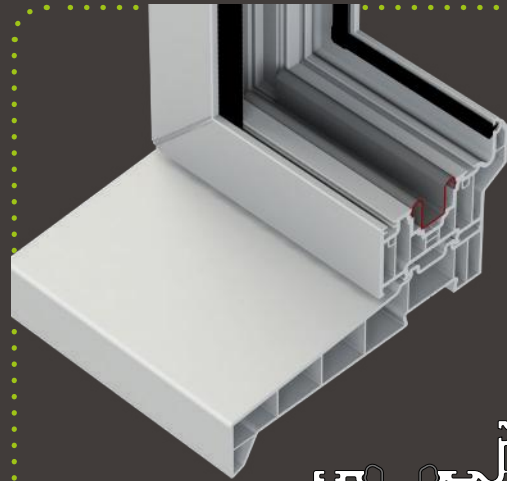
Product	Dim. B
Int. transom LSW026	87mm
Midrail LSW029	117mm

Product	Dim. C₁
Outer frame & sash MBF091 & MBF092	134mm
Ali. threshold & sash MBF291T & MBF092	115.5mm

Product	Dim. C₂
85, 150, 165, 180 cills LSL085, LSL150, LCL165, LSL180	30mm



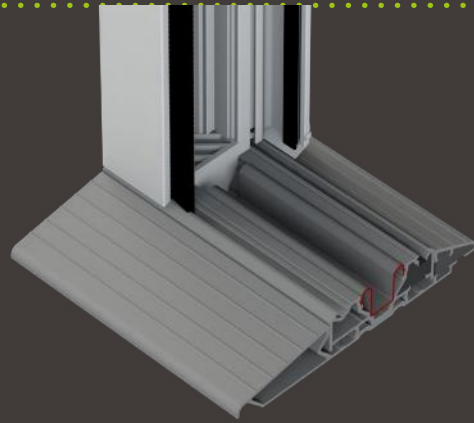
Frame Only
Threshold Height: 57mm



Frame and Cill
Threshold Height: 87mm (inc cill)

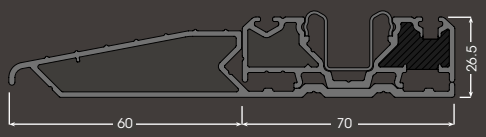
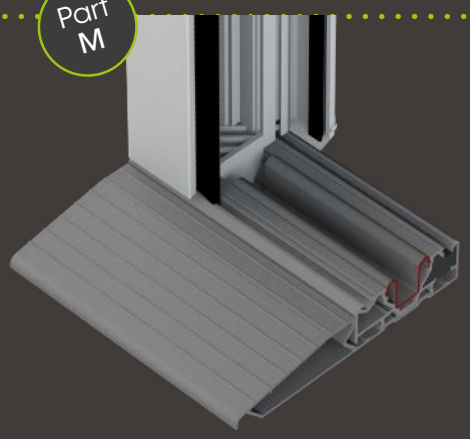


Part M Low Threshold
Threshold Height: 15mm



Low Threshold and Full Tray
Threshold Height: 26.5mm

Part
M



Low Threshold and Half Tray
Threshold Height: 26.5mm



Liniar specification guide

The Liniar Specification Guide is an A4-size, 234-page, full colour guide to specifying energy efficient PVCu windows and doors.

Covering the full range of lead-free Liniar products including the French door and ModLok™ French door, the Specification Guide includes full product charts, U-values, dimensions, accreditations, safety information and a variety of case studies.

To view an online copy of the Liniar Specification Guide and to order your free copy visit :

www.liniar.co.uk/specification-guide

Liniar

Flamstead House
Denby Hall Business Park
Denby
Derbyshire DE5 8JX

Tel: +44 (0)1332 883900
Fax: +44 (0)1332 883901
Email: sales@liniar.co.uk

www.liniar.co.uk

